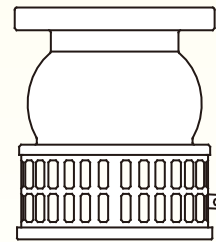
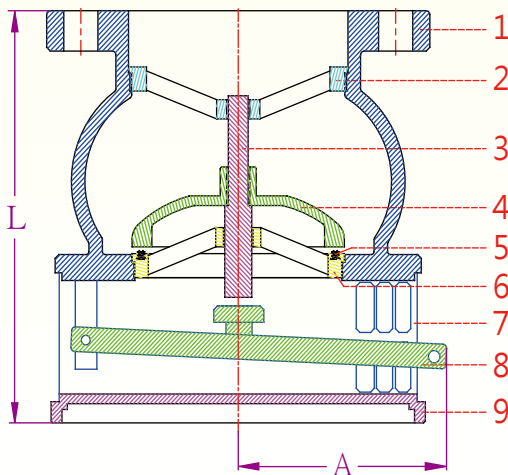


Full Flow Foot Valve



▲ Cast Iron Materials

- ★ Applied Conditions : Water .
- ★ Applied Temperature : -10 °C ~ 80 °C
- ▼ Maximum Working Pressure : 12 kgf/cm²
- ▼ Valve Body Testing Pressure : 21 kgf/cm²
- The shaft adopts dual center guiding design which enables high stability and long life .
- The attached clean lever is to clean impurities when there is jam .
- The valve has full flow design which has little flow loss .
- Stainless steel materials clean lever can be order .
- Accessory doesn't include the chain .



Flange (FVF)



Threaded (FVT)

Model : FVT
(Threaded)

Size	L	A
2"	160	95
2½"	165	105

Model : FVF
(Flange)

Size	L	A
2"	160	95
2½"	165	105
3"	210	115
4"	215	125
5"	240	145
6"	275	160
8"	380	185

Unit : mm

No.	Part Name	Material		
1	Main Body	Cast Iron	Ductile Iron	Stainless Steel
2	Upper Seat	Ductile Iron	Ductile Iron	Stainless Steel
3	Shaft	Brass	Brass	Stainless Steel
4	Disc	Ductile Iron	Ductile Iron	Stainless Steel
5	Sealing	NRB	NBR	NBR
6	Seat	Brass	Brass	Stainless Steel
7	Screen	Stainless Steel	Stainless Steel	Stainless Steel
8	Clean Lever	Ductile Iron	Ductile Iron	Stainless Steel
9	Screen Seat	Ductile Iron	Ductile Iron	Stainless Steel