

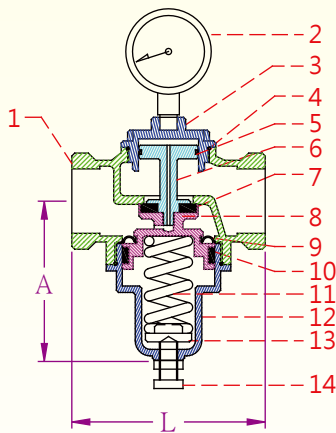
# Direct-Activated Pressure Relief Valve

## ( Stainless Steel #316 )

Valve body is made by Stainless Steel#316 , suitable for water and air. Design of piston and diaphragm improves the inability of sustaining pressure and leakage

- ★ Pressure Adjusting Range : 1 kgf/cm<sup>2</sup> ~ 5 kgf/cm<sup>2</sup>  
4 kgf/cm<sup>2</sup> ~ 10 kgf/cm<sup>2</sup>  
8 kgf/cm<sup>2</sup> ~ 13 kgf/cm<sup>2</sup>

- ★ Special order can be arranged for higher pressure adjustment range .
- ★ Applied Temperature : -15 °C ~ 80 °C
- ▼ Valve Body Testing Pressure : 35 kgf/cm<sup>2</sup>
- ★ The pressure gauge display inlet pressure .
- ★ Extruded screw for 1" and below (1") ;  
Hidden screw for 1.5" and above (1.5") .



Model : RLT  
(Female threaded)

| Size   | L   | A   | Cv   |
|--------|-----|-----|------|
| 1/2"   | 71  | 75  | 2.5  |
| 3/4"   | 86  | 75  | 4.0  |
| 1"     | 90  | 81  | 6.5  |
| 1 1/2" | 115 | 115 | 13.0 |
| 2"     | 120 | 115 | 17.0 |

| No. | Part Name      | Material             |
|-----|----------------|----------------------|
| 1   | Main Body      | Stainless Steel #316 |
| 2   | Pressure Gauge | -----                |
| 3   | Upper Cover    | Stainless Steel #316 |
| 4   | O-ring         | NBR / VITON          |
| 5   | U-ring         | NBR / VITON          |
| 6   | Piston         | Stainless Steel #316 |
| 7   | Sealing Spacer | NBR / VITON          |

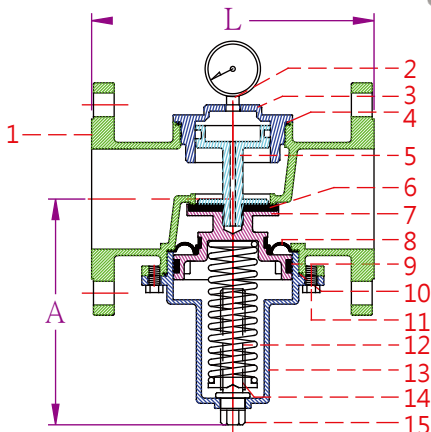
Unit : mm

|    |                |                      |
|----|----------------|----------------------|
| 7  | Shaft          | Stainless Steel #316 |
| 8  | Diaphragm      | NBR / VITON          |
| 9  | UH-ring        | NBR / VITON          |
| 10 | Spring         | Spring Steel         |
| 11 | Lower Cover    | Stainless Steel #316 |
| 12 | Washer         | Brass                |
| 13 | Adjusting Stem | Stainless Steel #304 |



Model : RLF  
(Flange)

| Size   | L   | A   | Cv    |
|--------|-----|-----|-------|
| 1/2"   | 150 | 75  | 2.5   |
| 3/4"   | 150 | 82  | 4.0   |
| 1"     | 150 | 82  | 6.5   |
| 1 1/2" | 190 | 115 | 13.0  |
| 2"     | 192 | 115 | 17.0  |
| 2 1/2" | 210 | 185 | 30.0  |
| 3"     | 225 | 185 | 42.0  |
| 4"     | 250 | 230 | 75.0  |
| 6"     | 310 | 290 | 170.0 |



| No. | Part Name      | Material             |
|-----|----------------|----------------------|
| 1   | Main Body      | Stainless Steel #316 |
| 2   | Pressure Gauge | -----                |
| 3   | Upper Cover    | Stainless Steel #316 |
| 4   | O-ring         | NBR / VITON          |
| 5   | Piston         | Stainless Steel #316 |
| 6   | Sealing Spacer | NBR / VITON          |
| 7   | Shaft          | Stainless Steel #316 |

Unit : mm

|    |                |                      |
|----|----------------|----------------------|
| 8  | Diaphragm      | NBR / VITON          |
| 9  | UH-ring        | NBR / VITON          |
| 10 | O-ring         | NBR / VITON          |
| 11 | Fixed Bolt     | Stainless Steel #304 |
| 12 | Spring         | Spring Steel         |
| 13 | Lower Cover    | Stainless Steel #316 |
| 14 | Washer         | Brass                |
| 15 | Adjusting Stem | Stainless Steel #304 |